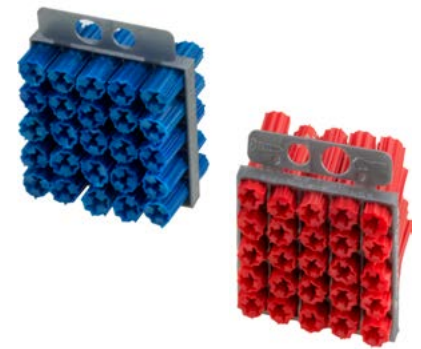


PIONEER IN WALLPLUGS

We are proud to say that EXPANDET was the company who invented the first plastic wall plug in 1949 ensuring powerful fastening with a small and affordable product! Today we still produce the famous wall plugs at our facility in Denmark.



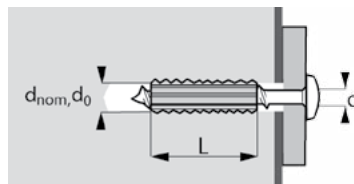
WALLPLUG

Best plug ever!

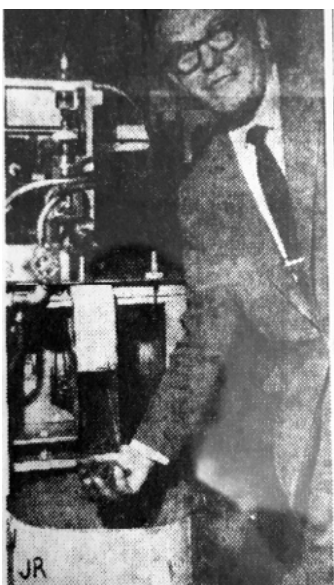
Of course introducing an industry defining product triggered the competition and soon the first copies appeared in the market. However the competitive products were nowhere near comparable to the original Expandet Wallplug.

**"WALLPLUGS ARE A
MUST-HAVE FOR EVERY
CARPENTER"**

What makes the Expandet Wallplug stand out is the soft but very tough material used in combination with a smart design ensuring a high pullout strength and most importantly allowing for instant grip. »

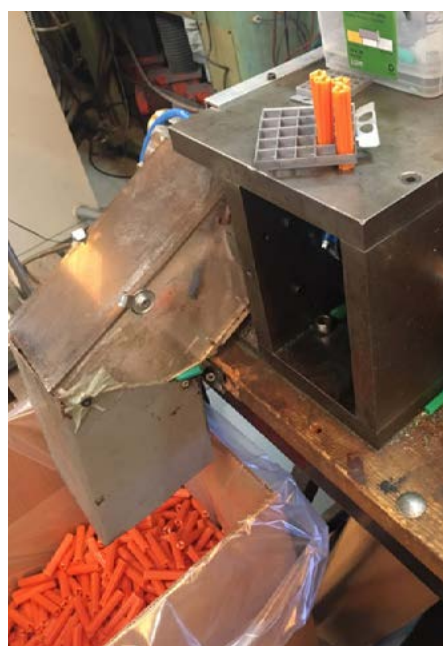


Type	DIMENSION	Load capacities
		N_{rec} Recommended tension load kN
White	5 x 25	0,65
White	5 x 35	0,85
Red	6 x 25	0,75
Red	6 x 35	0,90
Green	7 x 25	0,85
Green	7 x 32	1,05
Green	7 x 35	1,20
Green	7 x 50	1,75
Blue	8 x 25	1,00
Blue	8 x 35	1,40
Blue	8 x 50	1,85
Orange	10 x 35	1,25
Orange	10 x 50	1,80
Orange	10 x 60	2,00
Grey	12 x 50	1,80
Grey	12 x 60	4,60
Grey	12 x 75	5,25
Black	14 x 60	4,70
Black	14 x 90	5,25



JR
Sekunder — og haanden er fyldt med pløkke. Maskinen kan udspy op til 40.000 i timen.

1950



2017 Production of Wallplug

Features and Benefits

- 3 fins along the entire length to support the grip prior to expansion even in low density materials
- Closed circular design ensures the screw is always centered
- Unique material ensures controlled and instant expansion giving it high performance even in challenging base materials
- Load capacity up to 500 kg

This makes the product a must-have for every carpenter, professional or hobbyist.

The Wallplug is particularly suitable for installations like TV consoles, lighting, shelves, mirror cabinets, wash basin fixings, wall cabinets, bath and toilet installations, plumbing and heating fixings, pictures and radiators.



ROSETT

With the Expandet Rosett the installation of heavy objects like kitchen cabinets, radiators and shelving systems on drywall is a breeze. The Rosett is the first nylon product that utilizes the principle of deforming by creating a knot or Rosett on the back of the board/drywall in order to achieve higher load capacities.

The Rosett has been produced since

"IDEAL FOR INSTALLATION OF ALL KINDS OF APPLICATIONS IN DRY-WALL"

the 1970's in our own production facility in Denmark and consists of two different materials which are molded together and give the product its strength and uniqueness. The high quality nylon ensures flexibility and combined with the fiberglass reinforced threaded tip provides the strength which is needed to absorb high loads. In addition the Rosett plug follows the contours of the wall and maintains its holding power across the whole surface of the created knot.

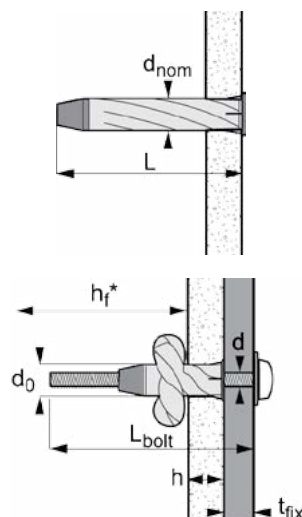
The Rosett is available in 3 lengths and color coded:

- Red Rosett= 2 layers of drywall
- Blue Rosett= 1 layer of drywall
- Grey Rosett= 9 mm drywall of limited space behind board



Expandet Rosett is normally delivered with a zinc plated screw in 5.8 steel with a choice of countersunk, pan-head, screw with hook, eye or 90 degrees angle. Torx & pozidrive drives are available.

Both panhead and countersunk are available with extra-long screws. »



Type	Load capacities	
	N_{rec} Recommended tension load kN	V_{rec} Recommended shear load kN
GREY (1 layer)	0,20	0,35
BLUE (1 layer I)	0,38	0,50
RED (2 layer)	0,70	0,85
HOOK (1 og 2 layer)	0,20	0,35
HOOK (1 og 2 layer)	0,20	0,35
EYE (1 og 2 layer)	0,20	0,35

Features and Benefits

- Easy installation
- 2-in-1 plug and screw
- Designed for heavy loads
- Does not damage the base material
- Maintains holding power across the surface of the created knot

The Rosett is also available without screws for those times when another type of screw or rod is needed to meet the application needs.

The Rosett is known as a drywall anchor but functions well in most materials especially hollow brick, chipboard and other board types.

The Rosett and the Wallplug are exported globally with significant markets outside of North Europe including the USA, Hong Kong, Turkey, Israel, Dubai, Nepal and Cyprus. •



A one seater airplane with motor suspended from a shelving system (Elfa/Element) in 2 layers of 12 mm drywall fixed with Expandet Rosett. All loads are on the Rosetts! (±1970)



APPLICATIONS



Just some of the applications for which the Rosett is ideal

TV consoles | lighting | shelves | mirror cabinets | wash basin fixings | wall cabinets | bath and toilet installations | plumbing and heating fixings | pictures and radiators